

VIOSO®

Anystation Micro v.6



fig. similar

Playback Performance	
Max. recommended resolution ¹ per output	AM5-6: UHD, AM5-6/8: WUXGA
Max. content resolution ¹ (HAP playback)	3x UHD
Form Factor	
General Design	industrial PC
Dimensions (WxHxD mm)	202 x 87 x 223
Weight	ca. 2.5 kg
Power Supply	external 300W
Application	
Warping & Blending	VIOSO 7
Auto Alignment	supported ²
Desktop Resolution Adaption	supported ³
Video Playback Solution	EXAPLAY 3
Operating System	Windows 11 IoT Enterprise LTSC (support until 2034)
Hardware	
CPU	Intel i5, 6/12Cores, 2.1/4.8 GHz Base/Turbo freq.
RAM	32 GB
GPU for projectors	AM4-4: 1x NVIDIA A2000e Ada (4x Mini Displayport) AM4-6: 2x NVIDIA A2000e Ada (6x Mini Displayport) AM4-8: 2x NVIDIA A2000e Ada (8x Mini Displayport) please order appropriate adaptors
GPU for UI	Intel onboard <i>Display Connectors: 3x Displayport V1.2</i> <i>Note: cannot be used when desktop hooking is used</i>
Framelock / Genlock	-
HDD Primary	1x 512 GB SSD
HDD Secondary	1x 2 TB NVMe, 3 GB/s read speed
Warranty	
Software	2 years software maintenance
Hardware	2 years bring-in warranty

¹ FullHD: 1920x1080@ 60Hz, WUXGA:1920x1200@60Hz, UHD:3840x2160@60Hz, 4K: 3840x2400Hz or 4096x2160@60Hz

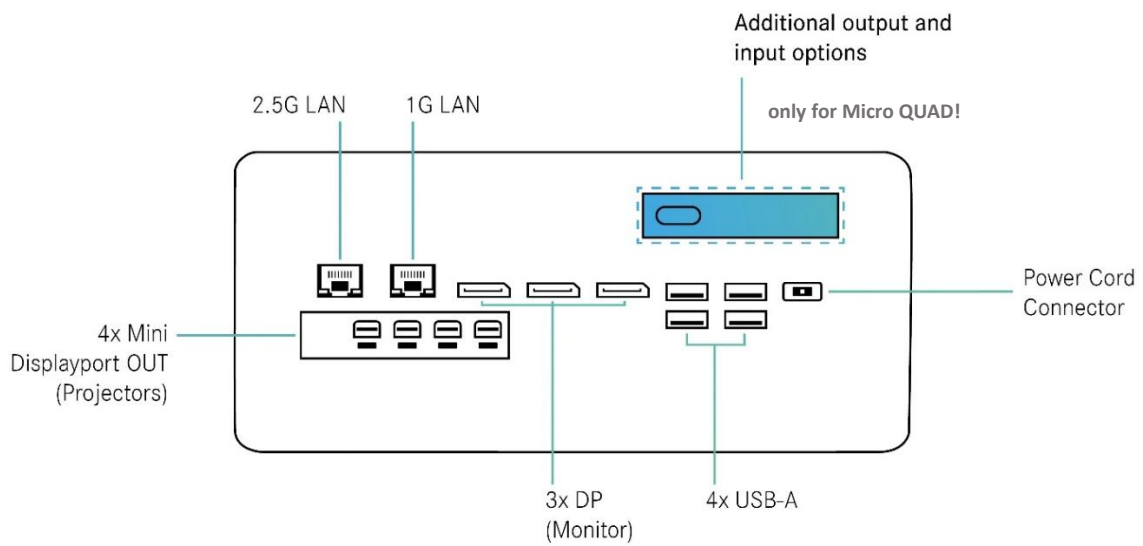
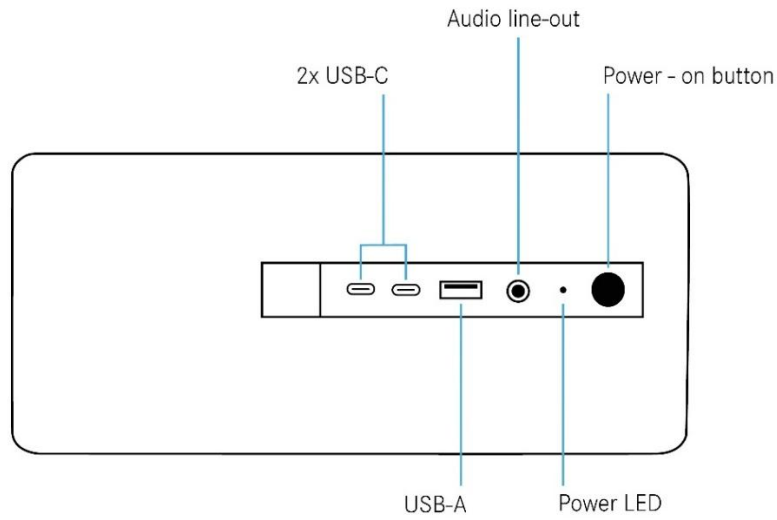
² Supports camera based projector alignment; for supported cameras see <https://docs.vioso.com/preparation/camera>

³ This hardware supports highest level of OS integration for warping and blending (desktop resolution adaption)

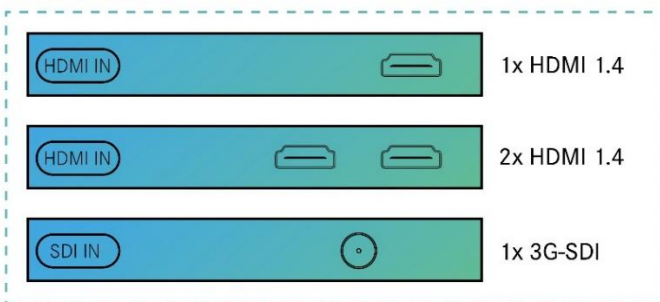
Interfaces	
USB	Front: 2x USB-C, 1x USB Rear: 4x USB
Ethernet	1x Ethernet (2,5 Gbit/s) 1x Ethernet (1 Gbit/s)
Wireless	Wireless LAN Intel® Wi-Fi 6 AX201 2x2 AX Bluetooth® 5.1 or above
Audio	
Audio Interface	onBoard 2.0 (Stereo)
I/O	1x Line out
Product Options	
Anystation Micro 4 Outputs <i>Incl. VIOSO 6 + Exaplay</i>	AM5-4
Anystation Micro 6 Outputs <i>Incl. VIOSO 6 + Exaplay</i>	AM5-6
Anystation Micro 8 Outputs <i>Incl. VIOSO 6 + Exaplay</i>	AM5-8
Input Options ONLY FOR MICRO QUAD!	
1x HDMI <i>Capturing 1x up to 1920x1080 @60fps</i>	DP-LCHD
2x HDMI <i>Capturing 1x up to 3840x2160 @30fps and 1x up to 1920x1080 @60fps</i>	DP-LCHD2
1x 3G-SDI <i>Capturing 1x up to 1920x1080 @60fps</i>	DP-LCSDI
Adaptor Options	
Mini Displayport to DVI, Displayport and HDMI:	
Mini Displayport to DVI-D Mini DisplayPort 1.2 to HDMI 2.0 Mini Displayport to Displayport	ADP_mDP-DVI ADP_mDP-HDMI2 ADP_mDP-DP



Technical Drawing



Input options - only for Micro QUAD!



VIOSO®